

## A160 Volume Control Damper

WELAIRE® A160 Damper is a low leakage heavy duty damper. A160 is designed for shutting off and adjusting the air flow in medium to high pressure HVAC systems. .

The damper is designed to satisfy the Class 2 in accordance with EN1751: 1998.

The damper consists of a rectangular casing and one or more blades. Airfoil blades result greater strength, less noise and less pressure loss. The damper can be manually operated or be operated by various actuators. The blade angle can be locked by means of a manual knob.

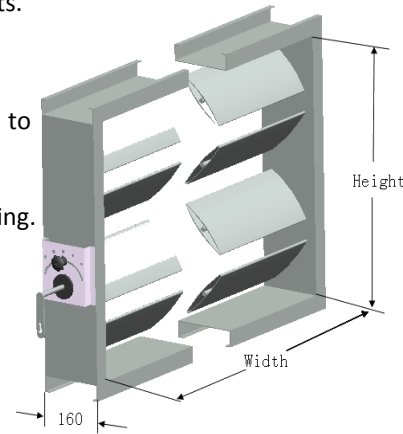
A multi-blade opposed action format utilizes a fully enclosed linkage system, which is located outside the airstream, to ensure minimum ingress of airborne containments.

Aluminum Construction and Airfoil opposite Blade Design

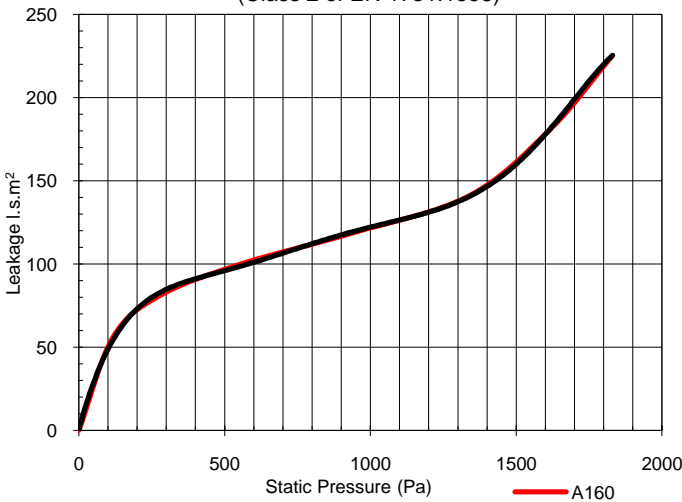


**Features:-**

- Extruded aluminum frame construction.
- Extruded aluminum airfoil blades with edge interlocks to minimize air leakage.
- Nylon bearings.
- Cast aluminum linkage with copper shaft to avoid rusting.
- 125mm extended 12mm diameter shaft suitable for manual or mechanical operation.
- All joints are welded and sealed for air tightness.
- All welded points are protected by spray painting.
- All linkage are concealed to avoid dust accumulation.



**DAMPER MODEL A160 LEAKAGE**  
(Class 2 of EN 1751:1998)



**Damper Standard Size**

Height (H)	Blade Qty.	Width (W)
160	1	275
315	2	580
470	3	885
625	4	1190
776	5	1495
930	6	1800
1086	7	2105
1240	8	2410
1397	9	2715
1550	10	3020
1701	11	3325
1855	12	3630
2011	13	3935
2165	14	4240

**Remarks:**

Dampers may be installed vertically or horizontally. Customized width is also available.



**WELCOME AIR-TECH (MALAYSIA) SDN BHD**

No. 46, Jalan Anggerik Mokara 31/47, Kota Kemuning, Seksyen 31, 40460 Shah Alam, Selangor D.E., Malaysia

Tel: (+603)-51218090

Fax: (+603)-51228090

Email: sales@saiver-welaire.com.my Website: www.saiver-welaire.com.my